

Axelent X-Guard

Premium



BMI-AXELENT

Parc Eco Normandie

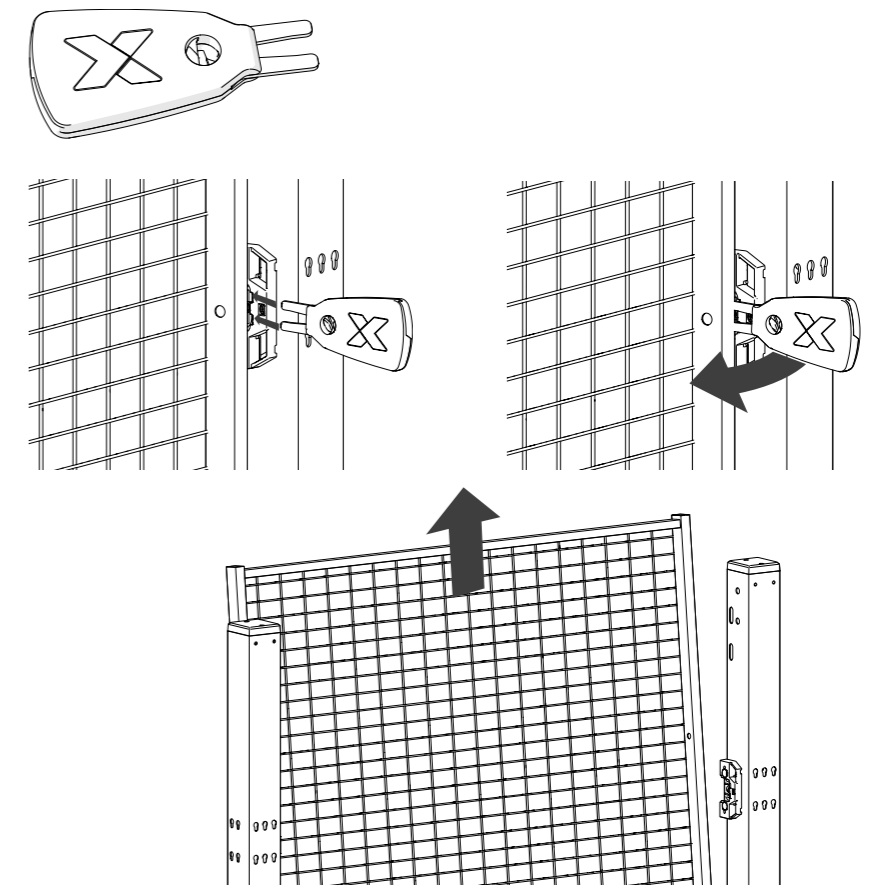
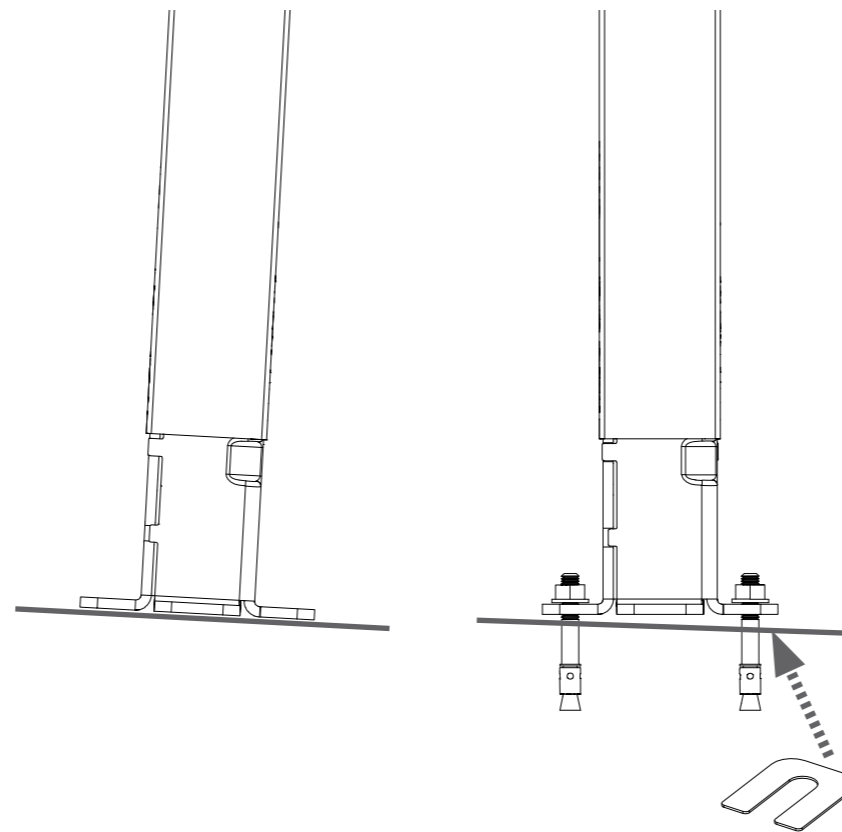
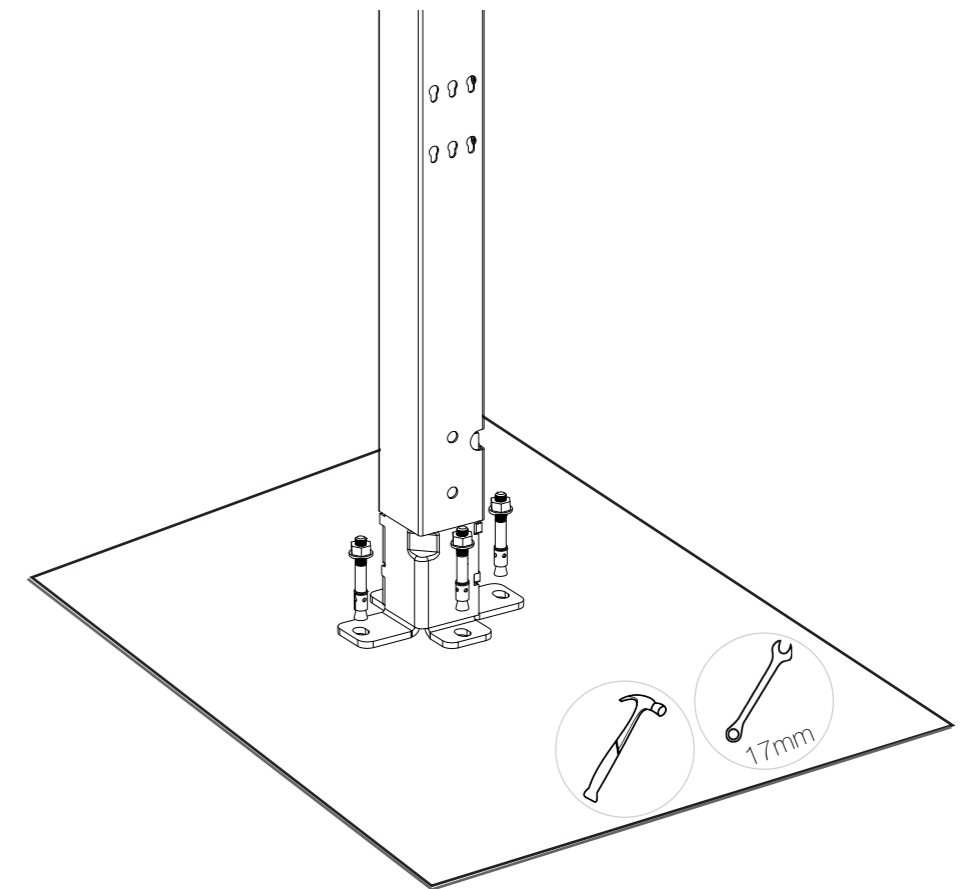
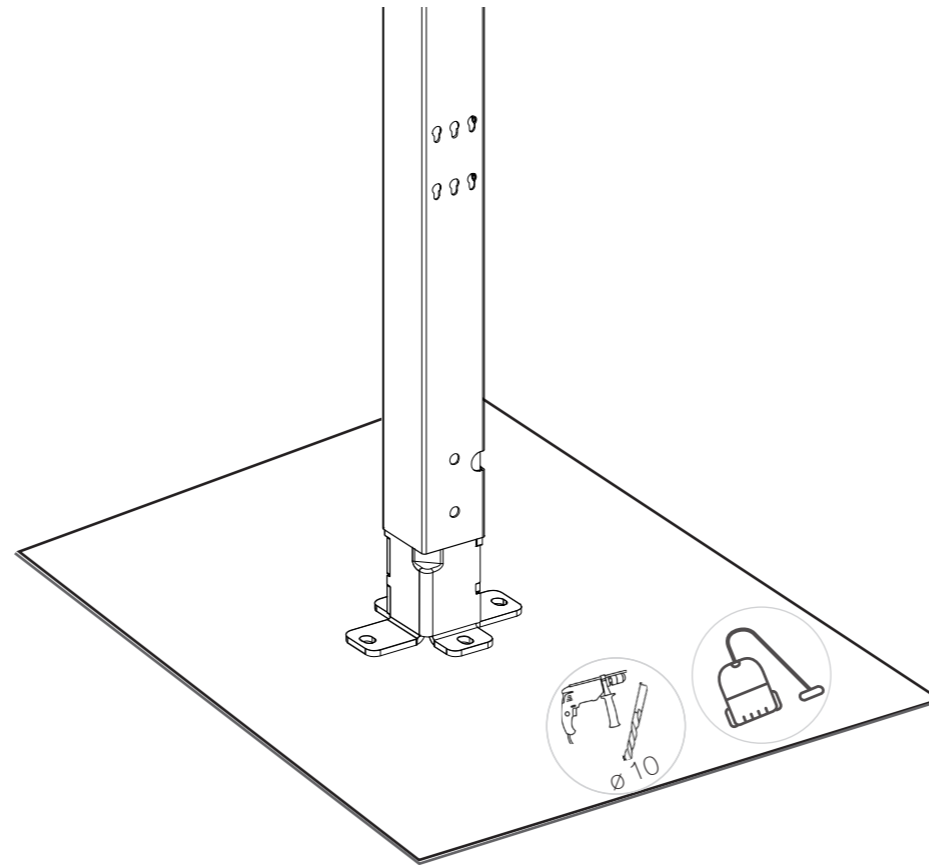
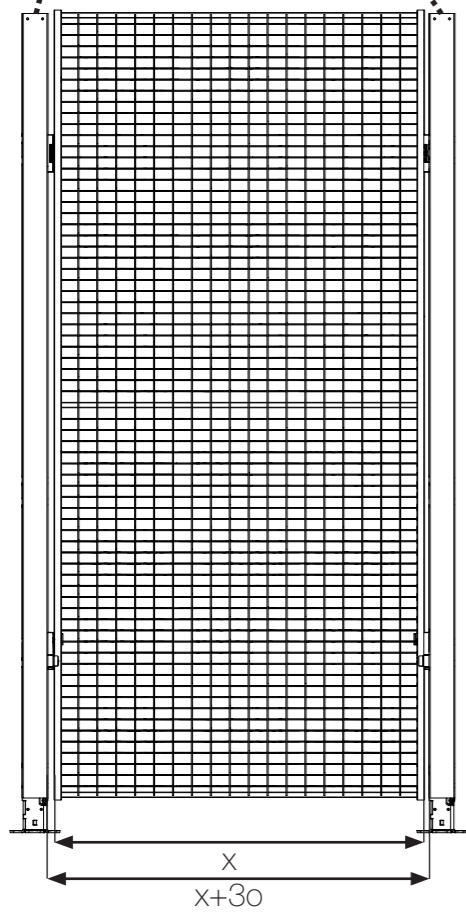
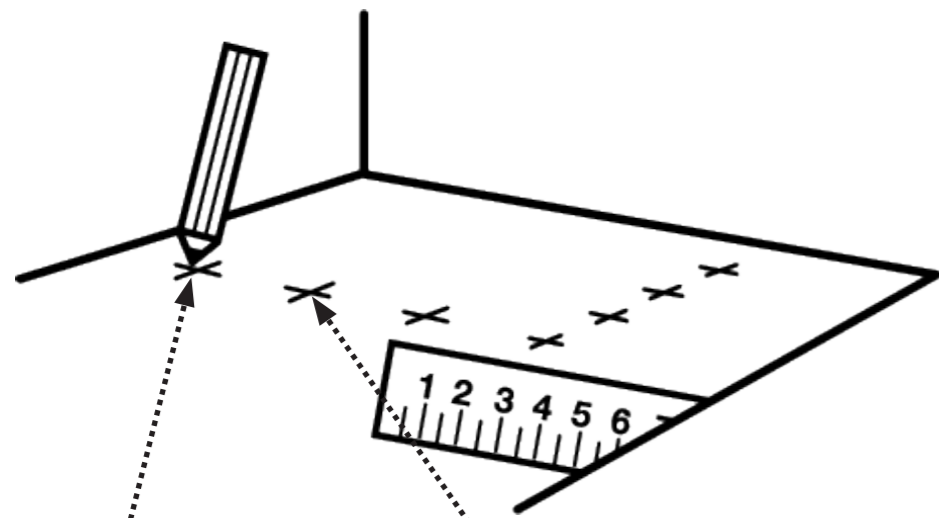
- Saint-Romain de Colbosc
- FRANCE

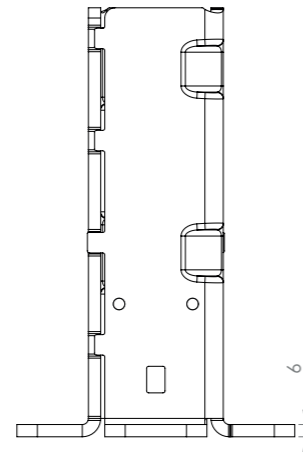
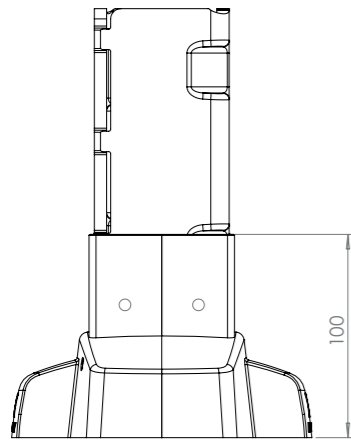
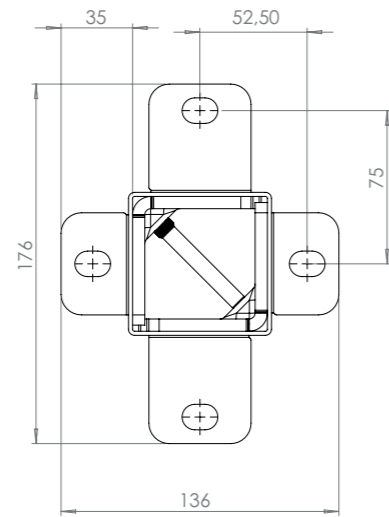
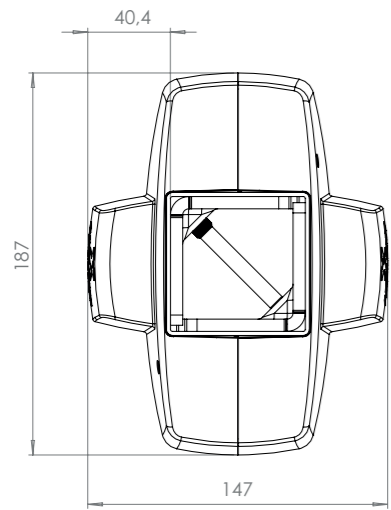
TEL +33 2 35 13 15 20

info@bmi-axelent.com

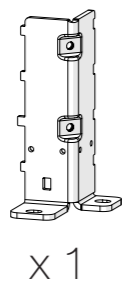
www.bmi-axelent.com



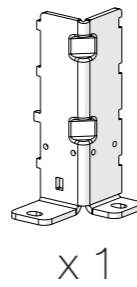




F33-010-2

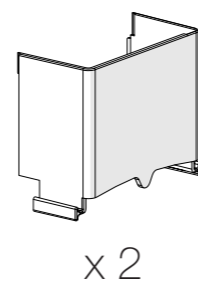


Art-G2287

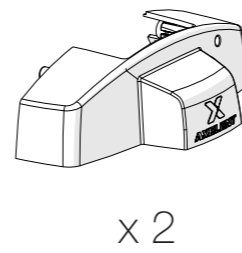


Art-G2286

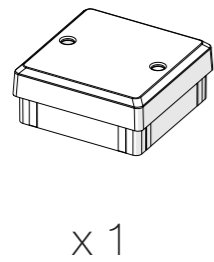
B00-050



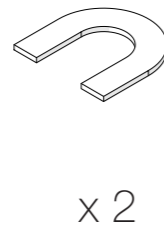
Art-G2606



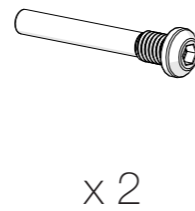
Art-G2605



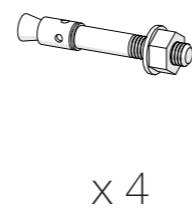
Art-G2070



Art-10-9942



Art-G2288



Art-10-9932



Art-G2533

