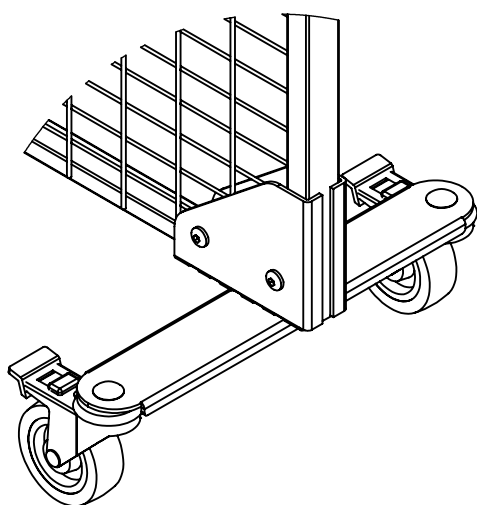
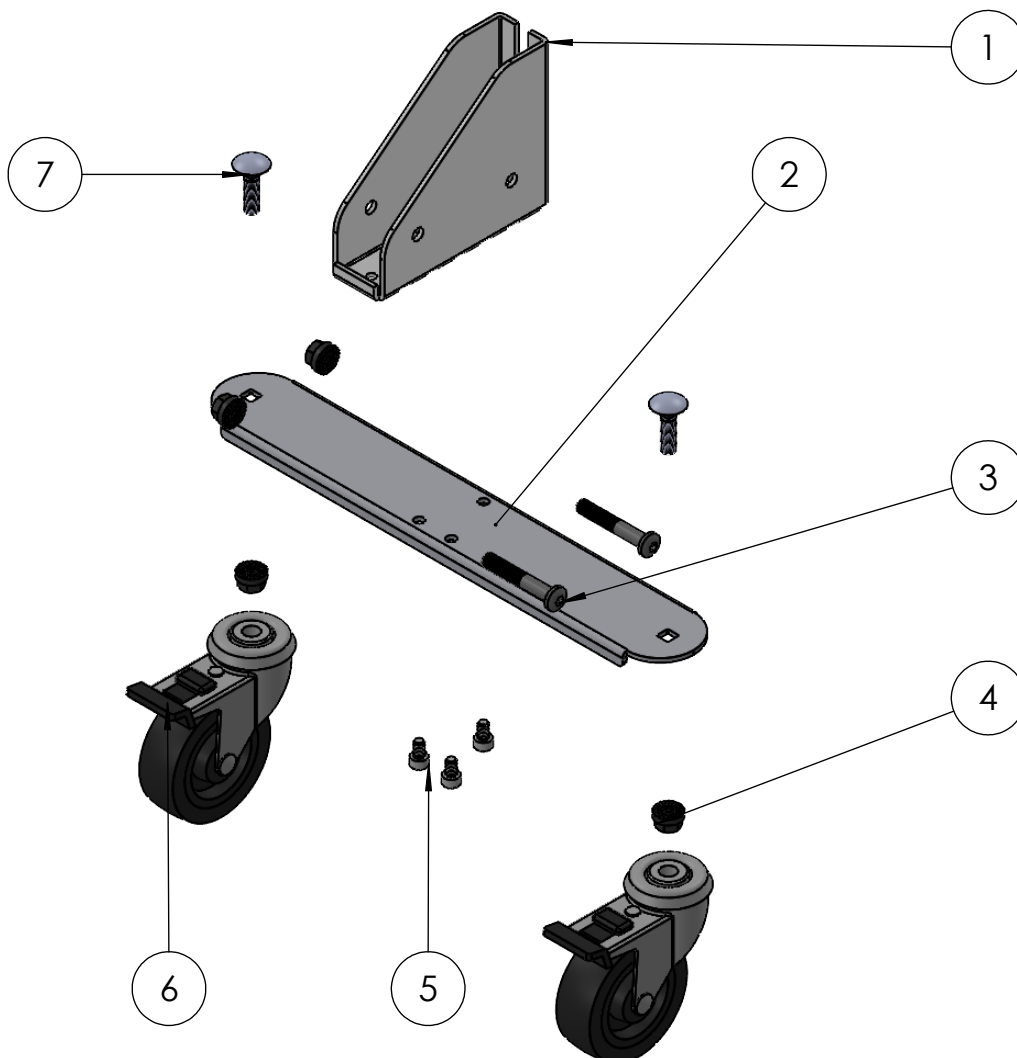


T01-51-PS



ITEM NO.	PART NUMBER	QTY.
1	G2164	1
2	G2406	1
3	MK6S-M8.50	2
4	M6MF-M8	4
5	MC6S-M6.10	3
6	S-0120-08	2
7	MVBF-M8.30	2

Axelent AB	KÄVSJÖVÄGEN 17 SE-335 73 · HILLERSTORP SWEDEN	INFO@AXELENT.SE AXELENT.COM	Date: 2022-04-26 TEL +46 (0)370-37 37 30		
C-number (for internal use)	Drawing-ID	Part/Assembly/Config ID (for internal use)	Description / Article number	Weight (calc.)	Version
C-0015983-01	T01-51-PS	Default(A-0036408)	Support wheels incl. support plate and wheel bracket, for floor gap 100 mm	963.30 g	B.2