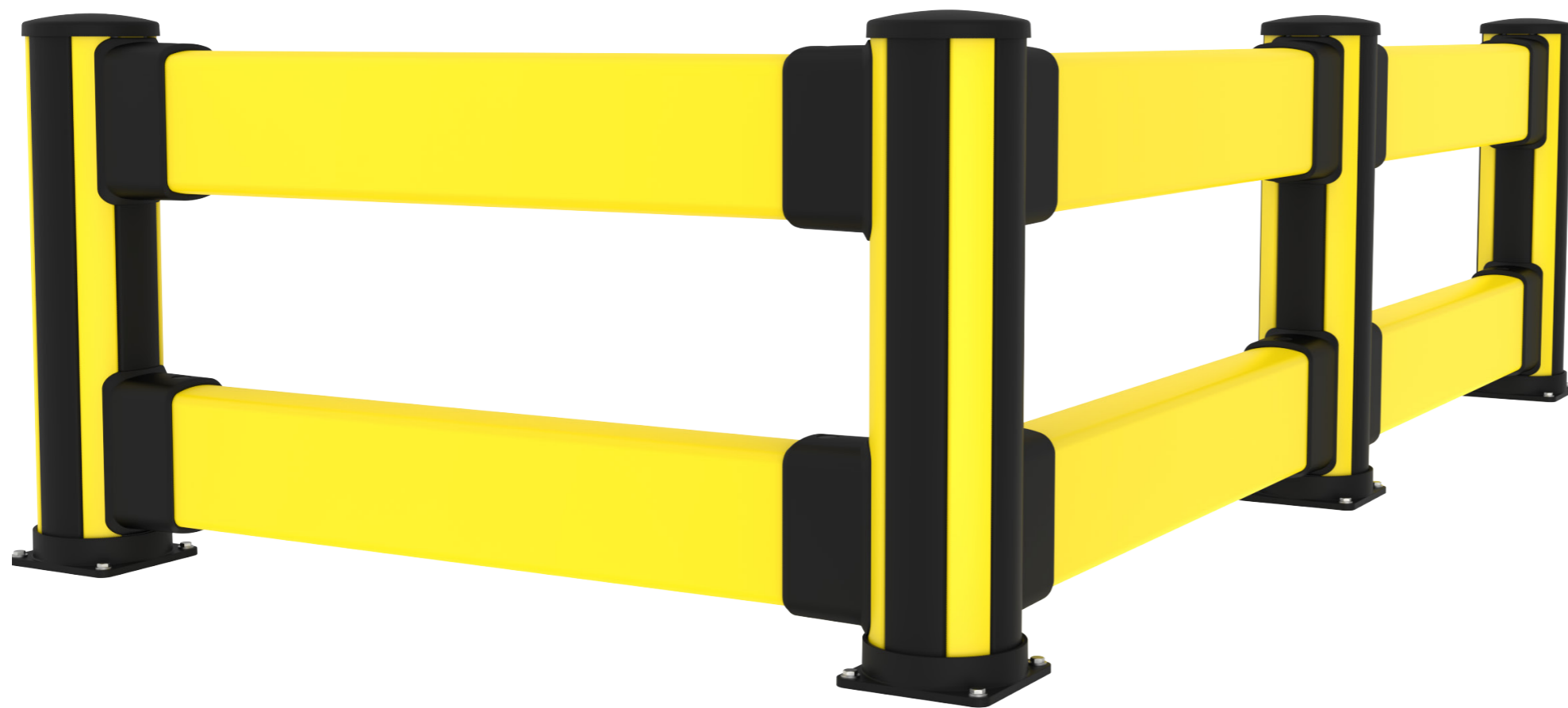


# Axelent X-Protect

Double impact



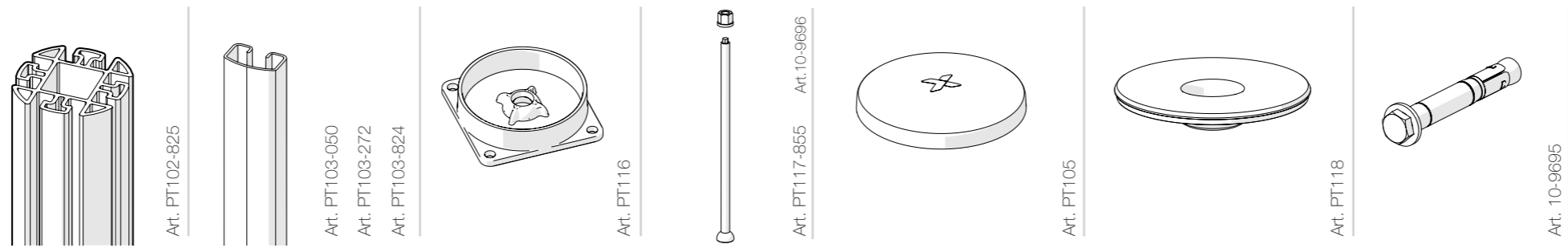
---

**AXELENT AB** • BOX 1  
KÄVSJÖVÄGEN 17 • SE-335 73  
HILLERSTORP • SWEDEN

TEL +46 (0)370-37 37 30  
INFO@AXELENT.SE  
WWW.AXELENT.COM

---

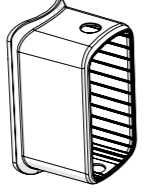
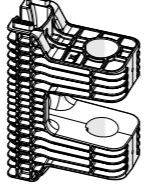
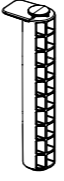




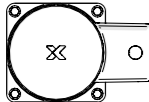
**BCE0-087-I200**  
**BCM0-087-I200**  
**BCC0-087-I200**

|   |  |   |   |   |     |   |   |   |   |
|---|--|---|---|---|-----|---|---|---|---|
| 1 |  | 1 | 1 | 3 | 1+1 | 1 | 1 | 1 | 4 |
| 1 |  | 2 | 2 | 2 | 1+1 | 1 | 1 | 1 | 4 |
| 1 |  | 2 | 2 | 2 | 1+1 | 1 | 1 | 1 | 4 |

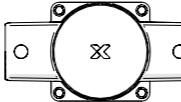
**CCS9-000-I100**

|   |            |  |            |   |            |
|---|------------|--|------------|---|------------|
|  | Art. PT108 |  | Art. PT109 |  | Art. PT111 |
| 2   |            | 2  |            | 2   |            |
| 4   |            | 4  |            | 4   |            |
| 4   |            | 4  |            | 4   |            |

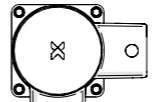
**BCE0-087-I200**  
**BCM0-087-I200**  
**BCC0-087-I200**







**BCE0-087-I200**











**BCM0-087-I200**



**BCC0-087-I200**

|   |   |   |   |
|---|---|---|---|
|  |  |  |  |
| PT103-824   | CCS9-000-I100   | PT103-272   | PT103-824   |
|   | CCS9-000-I100   |   |   |
|   | PT103-050   |   |   |

|   |   |   |   |
|---|---|---|---|
|  |  |  |  |
| PT103-824   | CCS9-000-I100   | PT103-272   | PT103-372   |
|   | CCS9-000-I100   |   | CCS9-000-I100   |
|   | PT103-050   |   | PT103-050   |

|   |   |   |   |
|---|---|---|---|
|  |  |  |  |
| PT103-824   | CCS9-000-I100   | PT103-272   | PT103-824   |
|   | CCS9-000-I100   | CCS9-000-I100   |   |
|   | PT103-050   | PT103-050   |   |

**RCI1-XXX-XXXX**  
 (RCI1-length-centre to centre)

